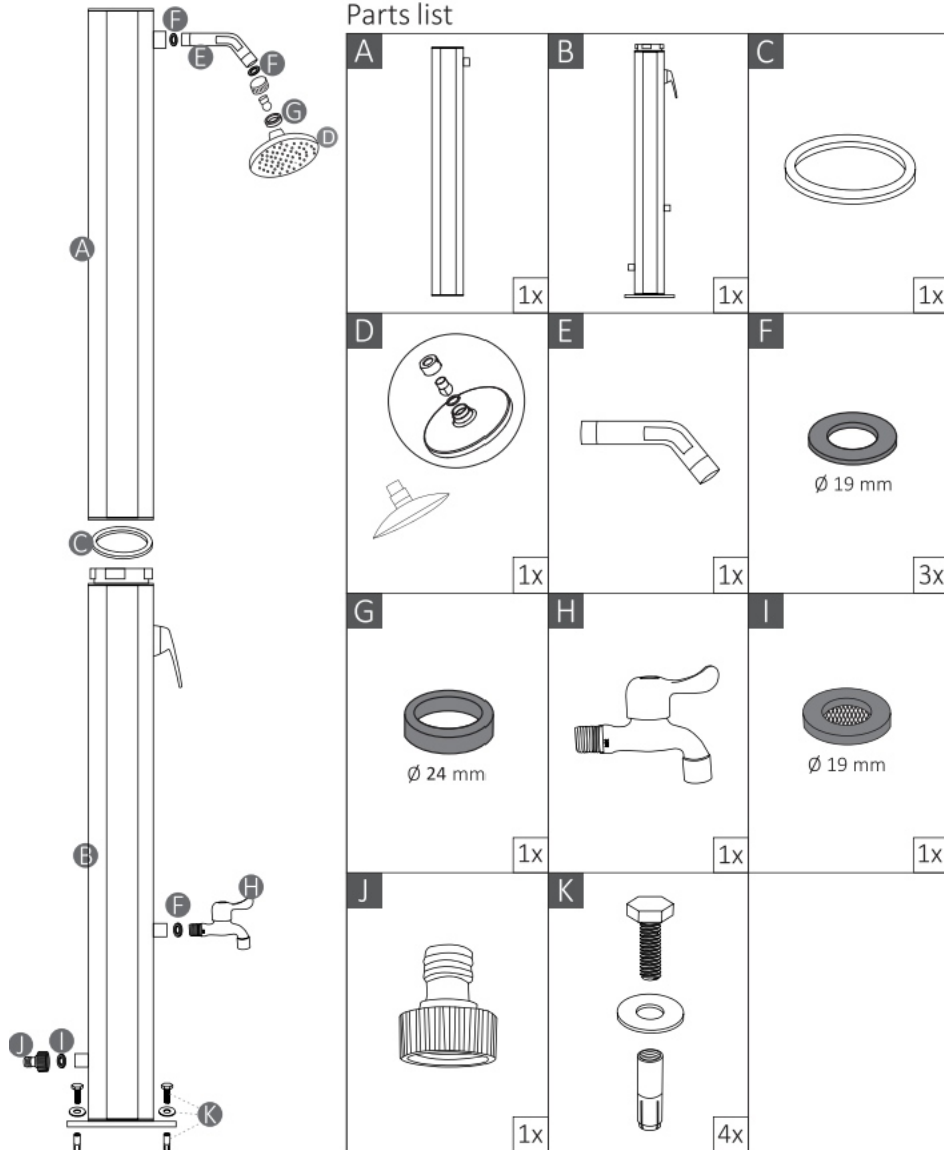


Solar Shower Instructions



ASSEMBLY INSTRUCTIONS

1. Choose a location which will receive good sunlight for your solar shower.
2. Mount the lower section of the shower with the base (B) to concrete a slab, decking or timber base. Use the four bolts, washers and nuts supplied (K). Use an adjustable wrench or socket drive to tighten bolts.
3. Attach shower head (D) with gasket (G) to the extension pipe (E). Attach the extension pipe (E) with gasket (F) into the thread of the upper section of the shower body (A). Tighten only with your hands. To avoid over-tightening, do not use a wrench or tool.
4. Insert the large O-ring (C) into the groove in the top of the lower section (B).
5. Lift the upper section (A) onto the lower section (B) with the shower head pointing to the left. Ensure the top section is seated firmly down on the top section.
6. Turn the upper section clockwise to connect the two sections (A+B). This will rotate the top section so the shower head is in the correct position and the mixer handle and shower head (D) face the same direction.

INITIAL SET UP OF THE SOLAR SHOWER

1. Open the handle and turn it to the "hot" position. This ensures no air pockets are trapped in the shower.
2. Attach your garden hose to the hose connector (J). Turn on the water to fill the solar shower. It will take a few minutes to fill up the solar shower, exact time will vary with your water pressure. If you have a high mains water pressure (above 3.5bars), open your faucet only ½ way.
3. On the first filling of the shower, flush water through for several minutes to remove odours from manufacturing.
4. After the water has flowed out of the shower head (D) for 8-10 minutes turn the handle off. Now the water begins to heat.
4. Depending on sunlight and outside temperature, the solar shower can take 3-8 hours to fully heat.
5. Water temperature in the solar shower can reach up to 60 °C in hot climates.

WARNING: To avoid scalding, ensure you turn the mixer handle to the "cold" position before using the solar shower. Then gradually adjust the mixer until the water reaches your desired temperature.

WINTERISATION

1. Turn off and disconnect the garden hose.
2. Open the handle and turn it to "hot" position to allow the water to drain out of the hoses and solar shower (This takes approx 8-10 minutes). Do not touch or turn the handle while draining, otherwise the water will stop draining out.
3. Turn the upper section counter-clockwise to release the upper section (A) from the lower section (B).
4. Remove the hose adapter.
5. Disassemble the lower stand (B) and pour the remaining water out of the solar shower.
6. Clean and dry all solar shower parts.
7. Store all solar shower parts indoors and in a dry place during winter season to prevent freezing.

ADDITIONAL INSTRUCTIONS

- Do not use salt or other anti-freezing methods.
- Recommended water pressure: maximum 3.5 bars. Do not operate the shower with higher water pressure.
- The heating of the water results in an expansion of the water. This causes a small amount of water to escape from the shower head. This is normal and does not indicate a leak or problem.
- On the first filling of the shower, flush water through for several minutes to remove odours from manufacturing.