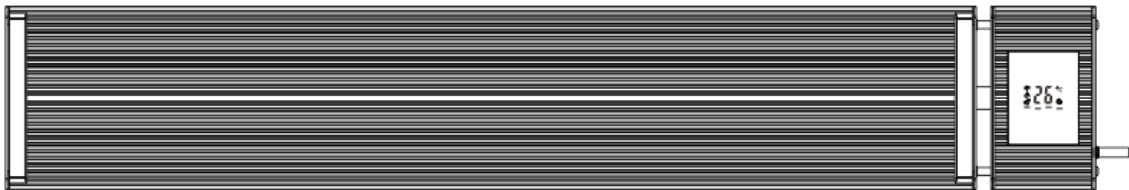




INFRARED HEATER MANUAL



WARNING

Read all instructions carefully before setting up and operating this unit.

This manual is designed to provide you with important information needed to set up, operate, and maintain your radiant heater.

Failure to follow these instructions may damage and/or impair the heater's operation and void the warranty.



1. SAFETY PRECAUTIONS

This appliance is not intended for use by persons (including children) with reduced physical sensory or mental capabilities, or lack of experience and knowledge unless they have been given supervision or instruction concerning the use of the appliance by a person responsible for their safety. Children should be supervised while using this appliance.

WARNING: In order to avoid overheating, do not cover the heater.

1. If the power supply cord is damaged, it must be replaced by the manufacturer, a licensed electrician, or similarly qualified persons in order to avoid a hazard.
2. The heater must not be located immediately below a power outlet.
3. Do not share the same power outlet with other appliances, to avoid current overload. Ensure the plug and socket make good contact.
4. Power off the outlet before removing the power plug. Hold the moulded section of the plug, don't pull on the wire.
5. Turn off the power immediately if the heater stops working or if the power cable is damaged.
6. The heater must be installed higher than 2.2 meters above the ground.
7. The radiant heater surface cannot be covered. Do not hang any objects on the heater.
8. The distance between the back/top of the radiant heater and the roof should be greater than 150mm. Do not place objects within 1000mm in front of the radiant heater, or within 200mm from each side.
9. DO NOT install the heater within 2.5m of a body of water, including but not limited to, a swimming pool, spa or bath.
10. Turn the power off and wait till the surface cools before cleaning. Do not wash with water. Use a damp cloth to wipe.
11. End users cannot repair the heater. Please contact an authorised service agent for maintenance and repairs.
12. Do not install and use radiant heaters in areas close to flammable or explosive materials.
13. Please do not insert any metal or foreign objects inside the radiant heater.
14. The radiant heater panel surface temperature can reach between 50°C and 386°C. Do not touch the unit when it is hot.
15. Do not splash water into the radiant heater.

2. FOREWORD

Thank you for your trust and support in choosing this Infrared Heater, please read the instructions carefully before operating the product.

3. INFRARED HEATER THEORY

Far-infrared radiant heaters are produced using unique design and manufacturing techniques.

Using a specially coated aluminium panel, the heat generated by the heating element is transferred radiantly to people and objects with maximum efficiency.

Infrared heating will not lead to air movement, making the air cleaner, as dust and particles are not disturbed and circulated. Traditional convection heating relies on air movement to distribute the heat.

4. PRODUCT PERFORMANCE FEATURES

Comfortable:

The use of this product does not generate any wind or odour.

Energy-saving:

High heat generation and excellent heat distribution, result in less energy consumption than traditional heating methods.

Reliable:

Premium quality components and unique production techniques make this heater reliable and long lasting even in semi-outdoor conditions.

5. WORKING CONDITIONS

Ambient temperature: -30°C ~ +40°C

Rated Voltage: 220-240V~

Rated frequency: 50Hz/60Hz

Relative humidity: less than 95%

6. INSTALLATION REQUIREMENTS

1. Qualified installer:

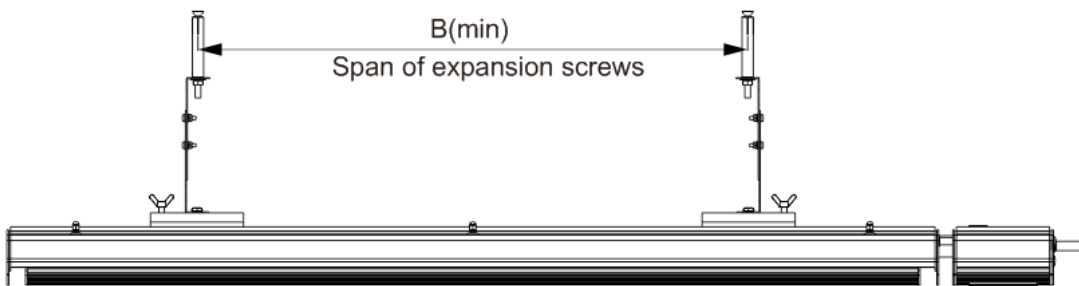
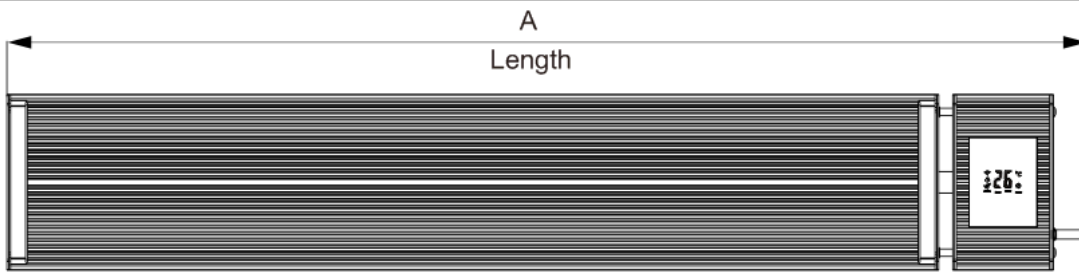
The installation must be carried out by a licensed electrician.

2. Installation conditions:

- (1) Supply voltage fluctuation range should be within $\pm 10\%$. If the supply voltage does not meet these conditions, please rectify before installation.
- (2) If there is a possible safety risk in the electrical environment, the installation should be refused, until a licensed electrician has inspected and tested the electrical circuit.
- (3) Electrical circuits should be equipped with earth leakage protection devices and a master switch.
- (4) Ground wire should be connected to grounding circuit on the building by a licensed electrician.

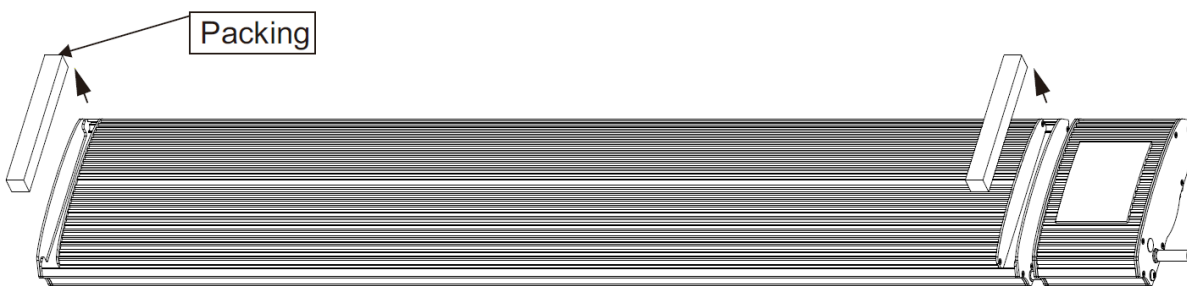
| Model No. | Power(W) | Rated Current(A) | Voltage(V) | Cable length(mm) |
|-------------|----------|------------------|------------|------------------|
| JH-NR10-13W | 1000 | 4.3 | 220-240 | 2000 |
| JH-NR18-13W | 1800 | 7.8 | 220-240 | 2000 |
| JH-NR24-13W | 2400 | 10.4 | 220-240 | 2000 |
| JH-NR32-13W | 3200 | 13.9 | 220-240 | 500 |

7. INSTALLATION INSTRUCTION

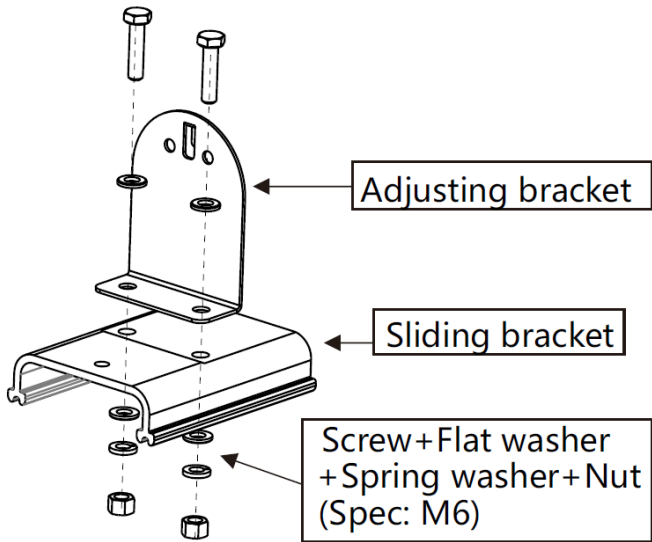


| Model No. | Dimension A | Dimension B |
|-------------|-------------|-------------|
| JH-NR10-13W | 755mm | 200mm |
| JH-NR18-13W | 1155mm | 700mm |
| JH-NR24-13W | 1655mm | 1200mm |
| JH-NR32-13W | 2155mm | 1700mm |

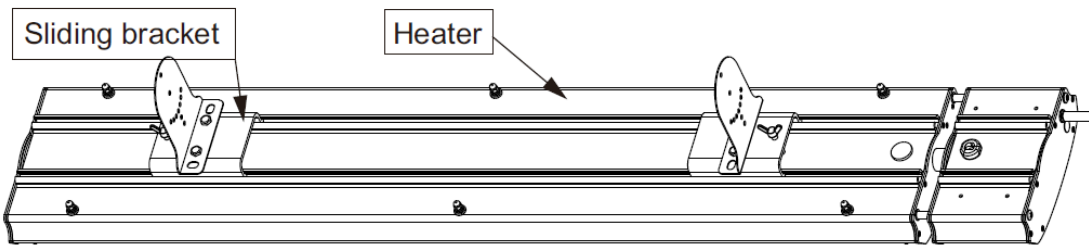
Step 1 : Remove packing strip from both ends of heater.



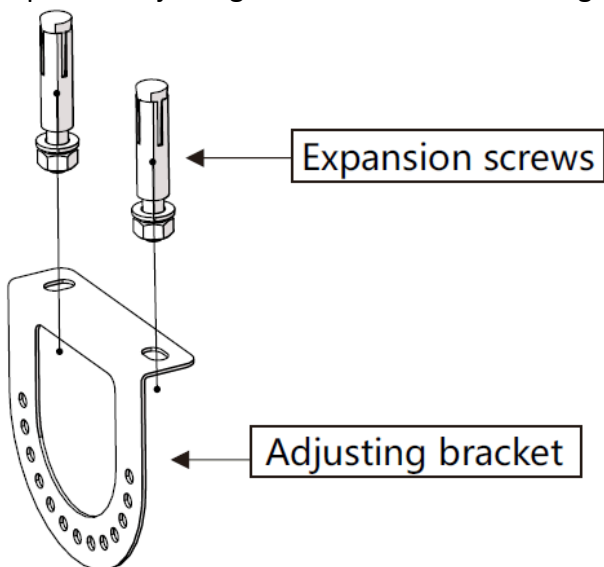
Step 2 : Connect adjusting bracket to sliding bracket.



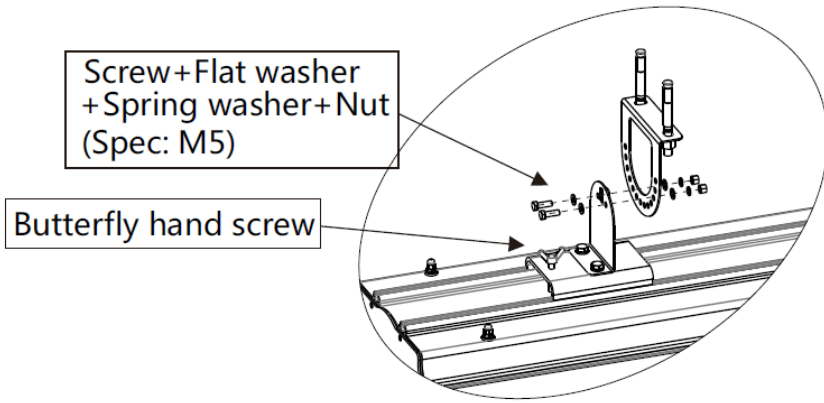
Step 3 : Install sliding bracket & heater, as arrow points.



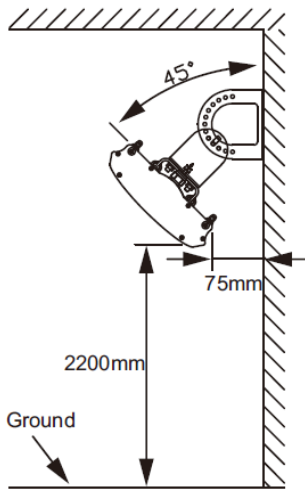
Step 4 : Fix adjusting bracket into the wall using expansion screws.



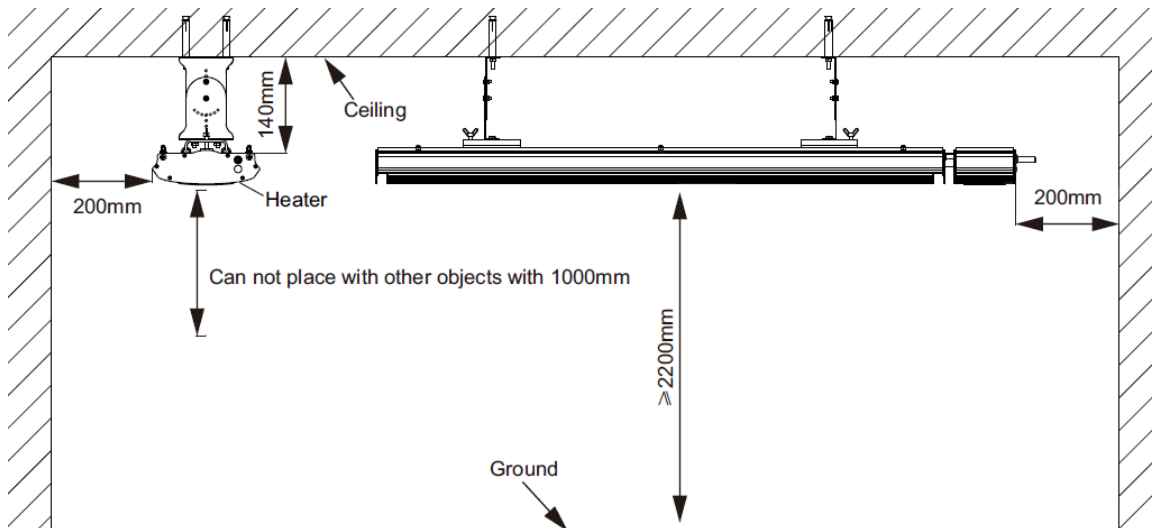
Step 5 : Install the two adjusting brackets; make sure to secure the brackets by tightening the wingnut (butterfly hand screw.)



8. INSTALLATION DIAGRAM

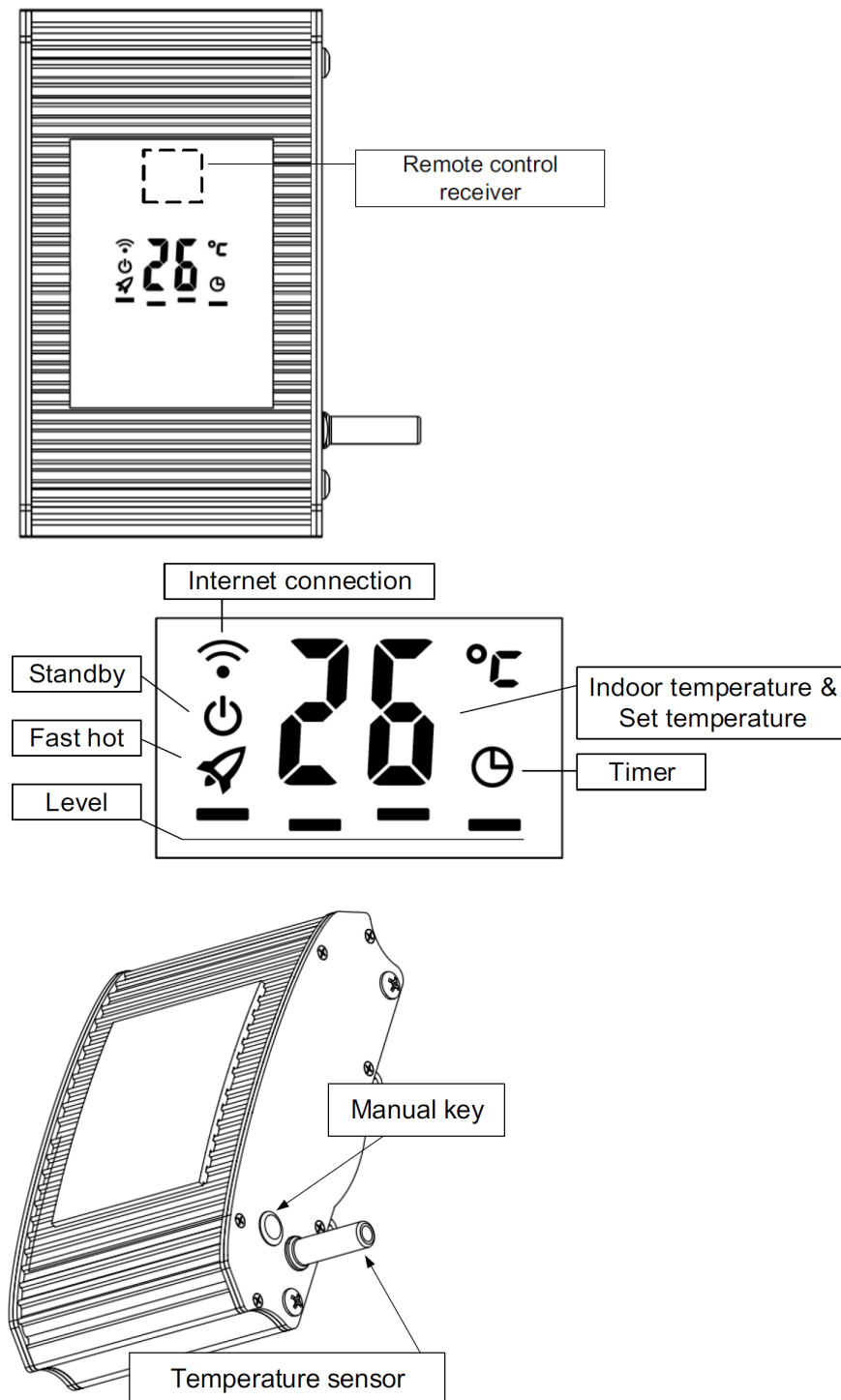


Install vertically in front



Ceiling installation

9. DISPLAY INTERFACE



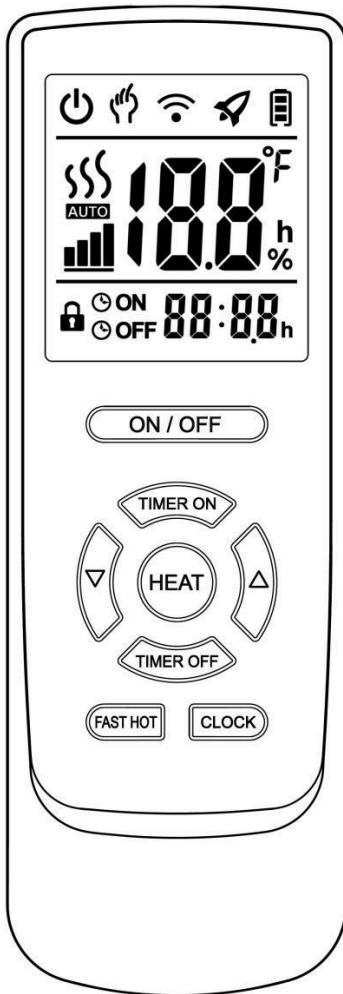
Manual Key

Press Manual Key button to turn the heater on or off, and set the heating level.

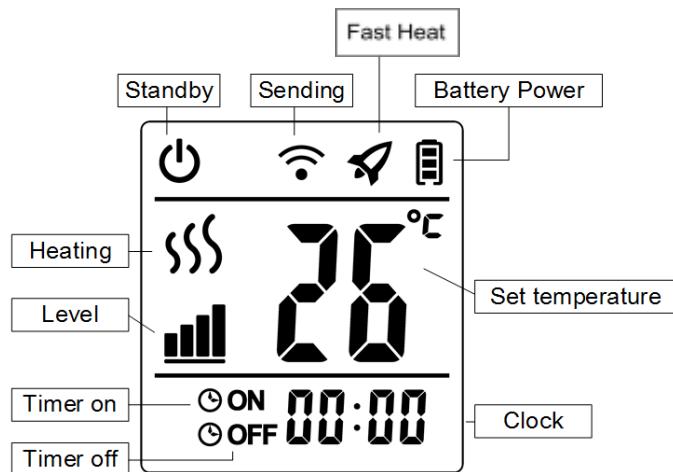
Hold the Manual Key for 5+ seconds to pair the Wi-Fi network if applicable (details in chapter 11).

Indoor temperature sensor (Senses the current ambient temperature)

10. MANUAL FOR REMOTE CONTROLLER



Remote appearance



Remote LED display

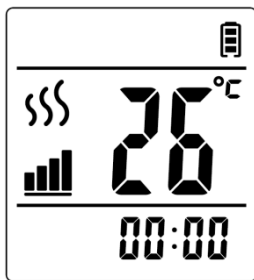
1. ON/OFF button

Press ON/OFF button to turn the heater on or off.

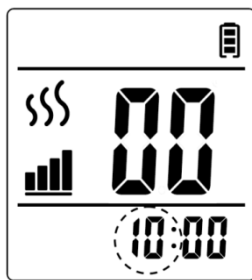
2. Clock button

Remote is powered on (as shown in picture 2-1 below), present time is 00:00. Follow steps below to set the time.

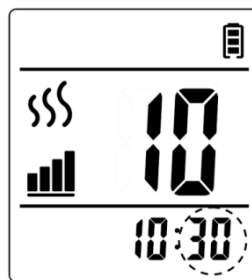
1. Press clock button, the hours will flash (as shown in picture 2-2), press up or down button to change hour setting.
2. Press clock button, the minutes will flash (as shown in pictures 2-3), press up or down button to adjust.
3. Press clock button, the seconds will flash (as shown in picture 2-4), press up or down button to adjust.
4. Press clock button again, the seconds will stop flashing and the time setting is complete.



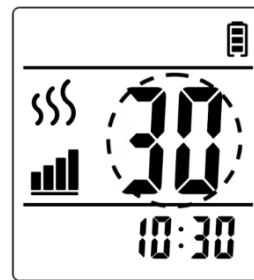
Pic2-1



Pic2-2



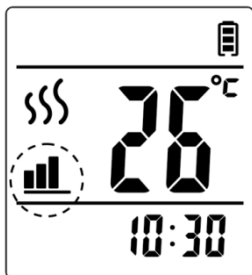
Pic2-3



Pic2-4

3. Heat button

Press level button to adjust the power when the heater is on (as shown in picture 3-1).

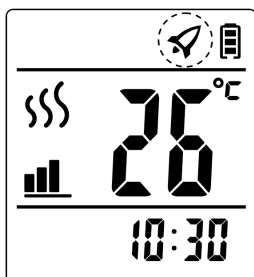


Pic3-1

4. Fast heat button

Press fast heat button to enable/disable the fast heat function.

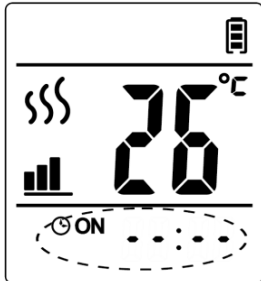
Fast heat function allows the heater run at full power for a certain time for rapid heating.



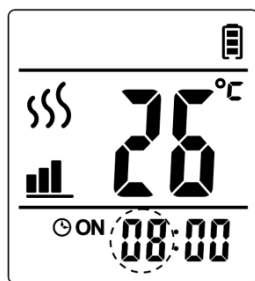
Pic4-1

5. Timer on button

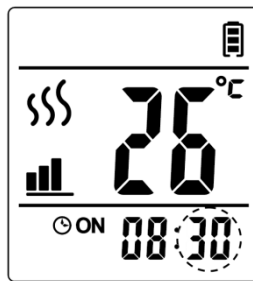
1. Press timer on button, it will show ON---(as shown in picture 5-1).
2. Press up or down to change hour (as shown in picture 5-2).
3. Press timer on button again, hours will stop flashing and minutes begin to flash.
4. Press up or down to change minutes (as shown in picture 5-3).
5. Press timer on button again. Timer on setting is completed. The display will show the present time (10:31 as shown in picture 5-4).



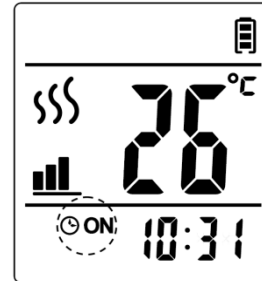
Pic5-1



Pic5-2



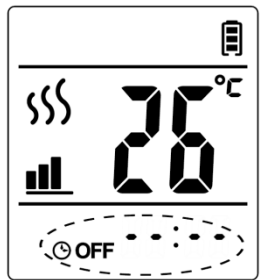
Pic5-3



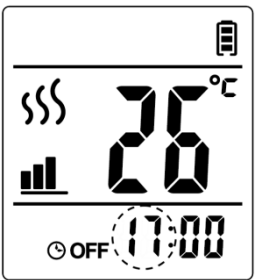
Pic5-4

6. Timer off function

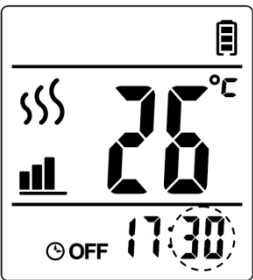
1. Press timer off button, it will show off---(as shown in picture 6-1).
2. Press up or down to adjust hours (as shown in picture 6-2).
3. Press timer off button again, hours will stop flashing and minutes begin to flash.
4. Press up or down to adjust minutes (as shown in picture 6-3).
5. Press timer off button again. Timer off function setting is complete. The display will show the present time (10:31 as shown in picture 6-4).



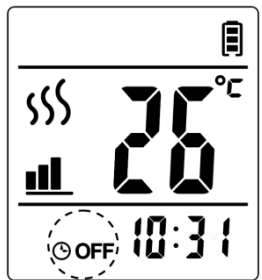
Pic6-1



Pic6-2



Pic6-3



Pic6-4

11. CONNECT TO WIFI NETWORK

1. Download Tuya Smart App

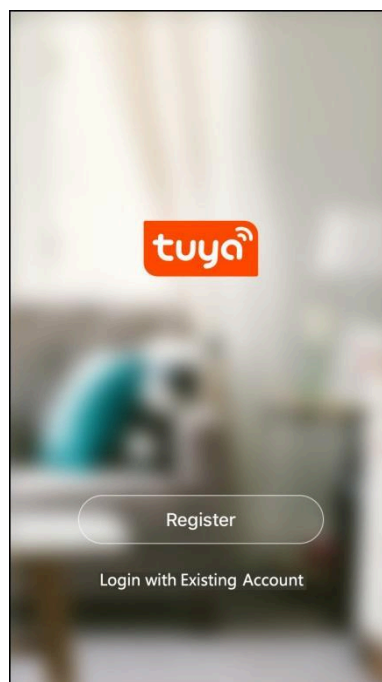
Download Tuya Smart App from your smartphone (Google Play Store / App Store / AppGallery, etc.) or by scanning the following code.



Or download Tuya Smart App from <https://smartapp.tuya.com/tuyasmart>

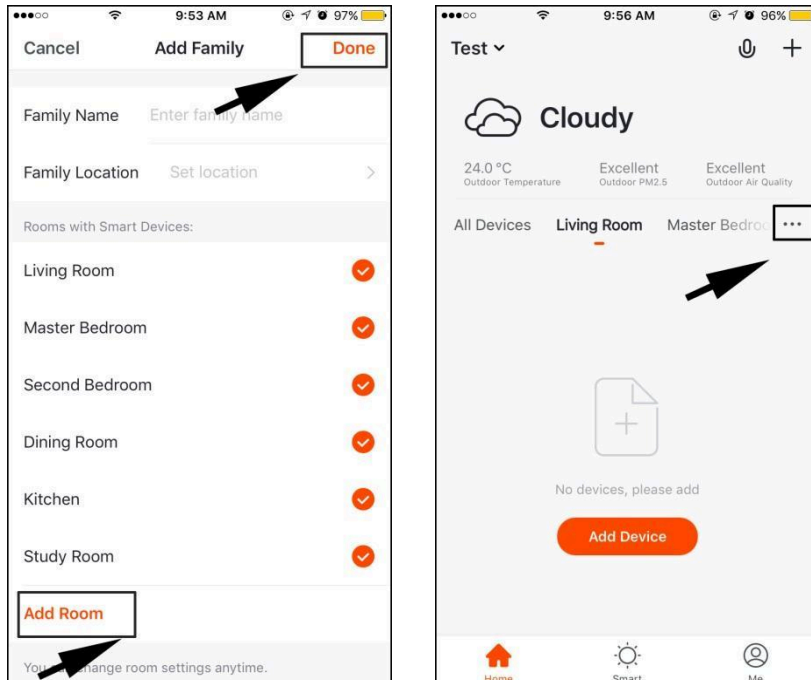
2. Register / Log in

Register an account via mobile number or email address. Log in with existing account if an account has already been set.



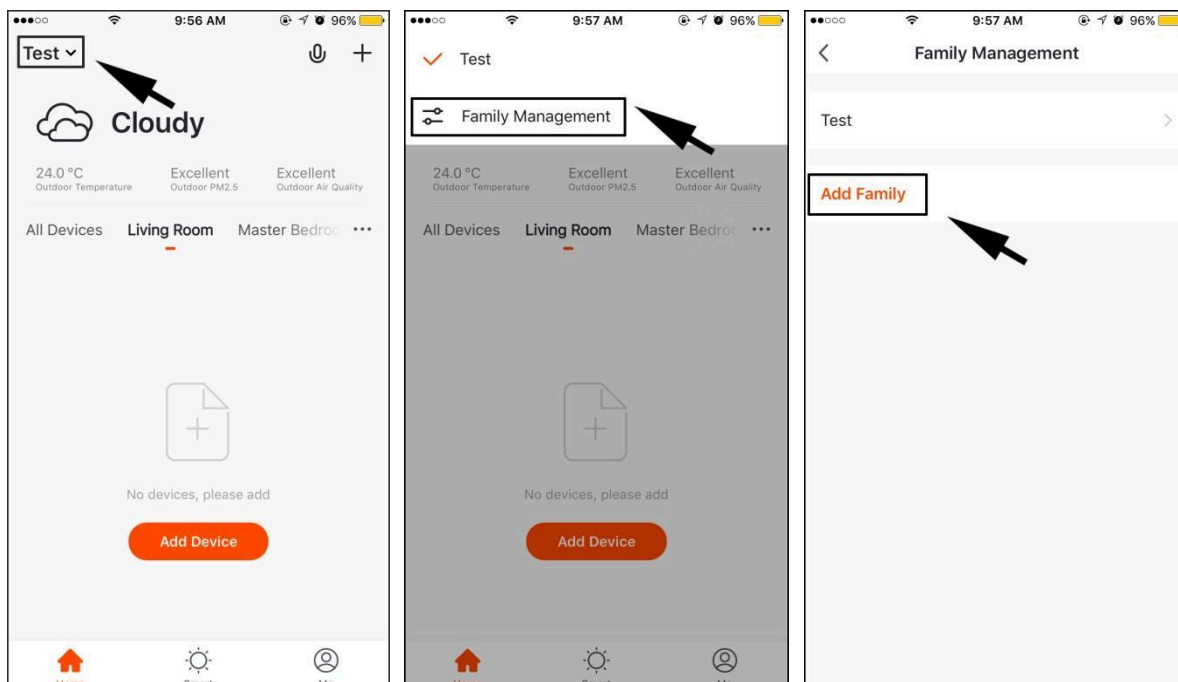
3. Home management

1. Click “Start your smart life” to “Add family”
2. Manually set a family name at “Add family”. Set location at the map interface and change the location by coordinate point.

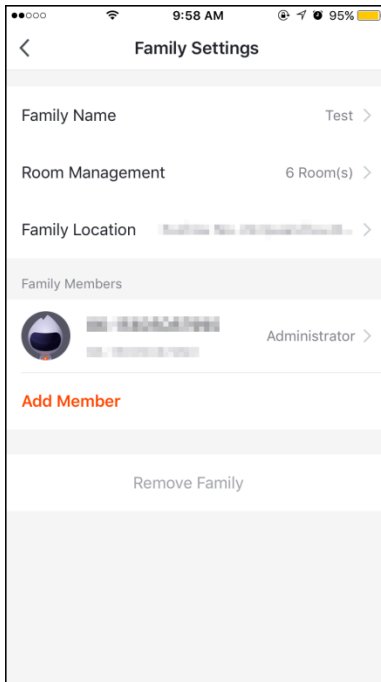


3. Click “Add Room” to add another room. By click “Done” to finish the room setting. And click “...” to proceed room management as needed.

Click “Home Management” to add family. One account can simultaneously control several families by selecting available devices at the family management page.

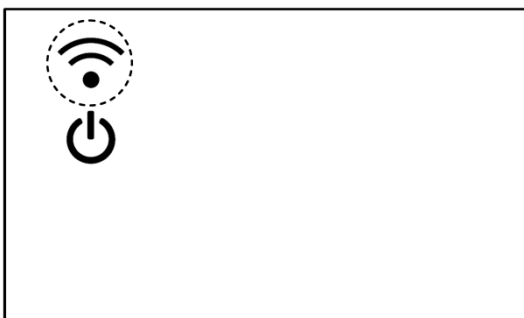
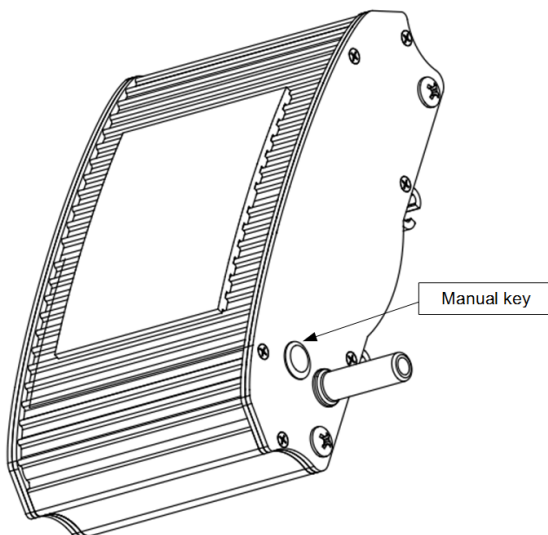


Click a family name to get into the “Family Settings” page and change the name, location and members as needed.

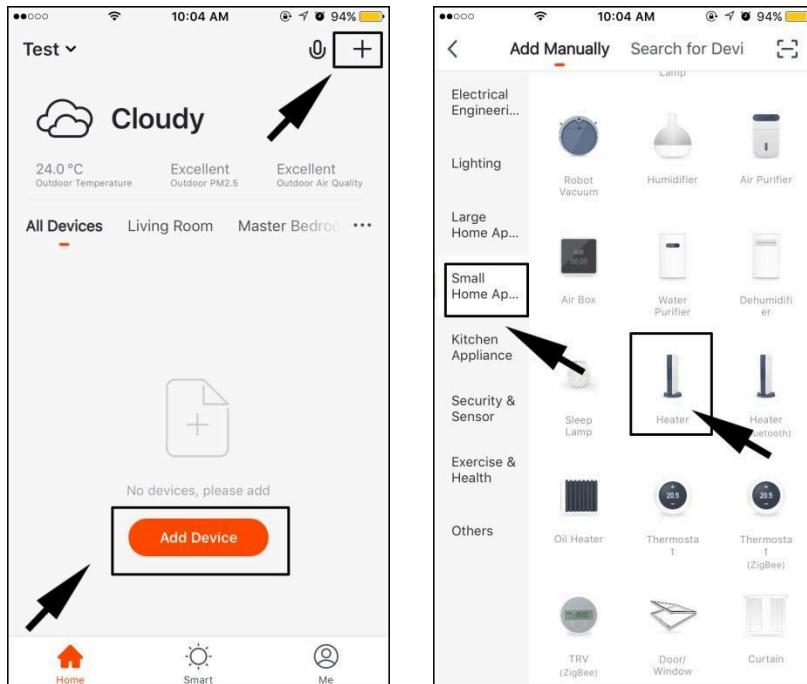


4. Add Devices

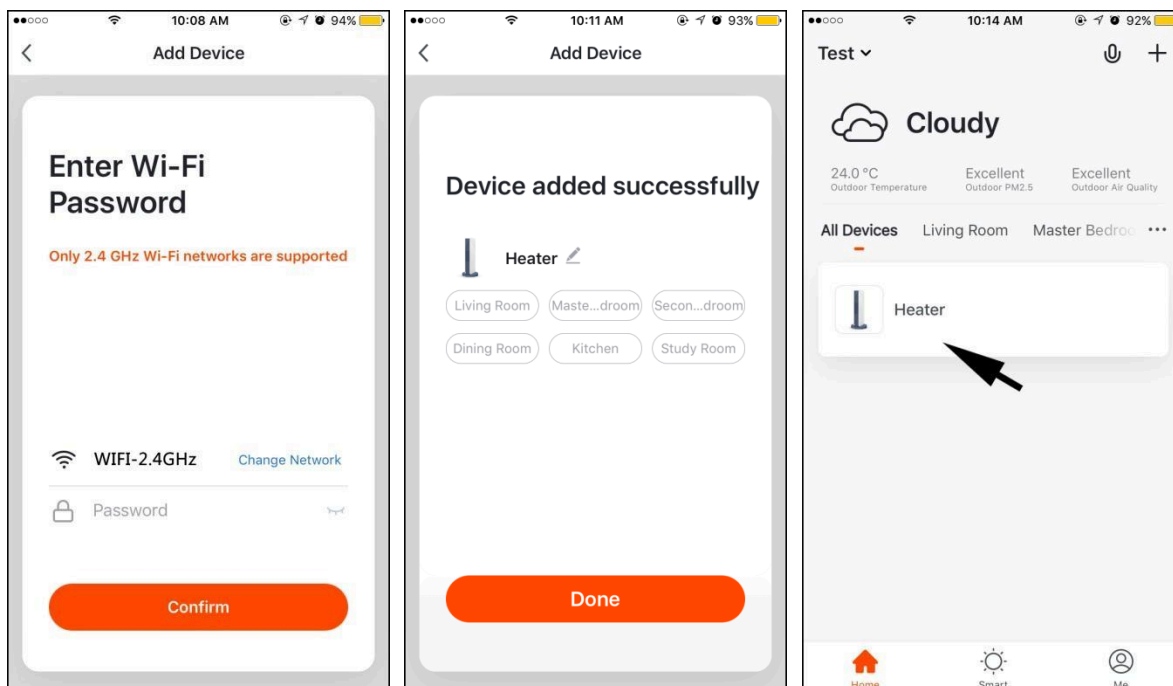
Hold Manual Key for 8 seconds after power on, till heater beeps and the Wi-Fi icon flashes (twice per second).



Click “add device” or “+” on the screen, find “Small Home Appliance” — “Heater”

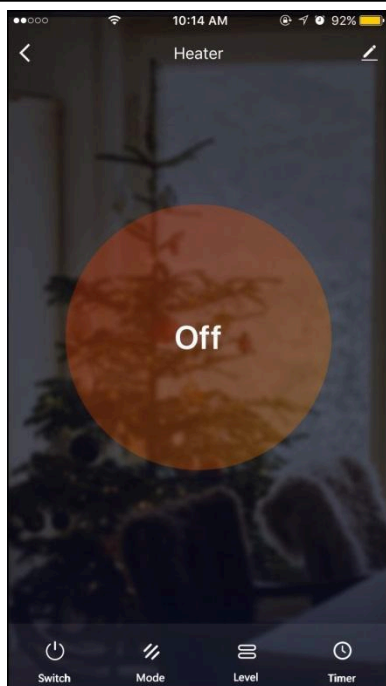
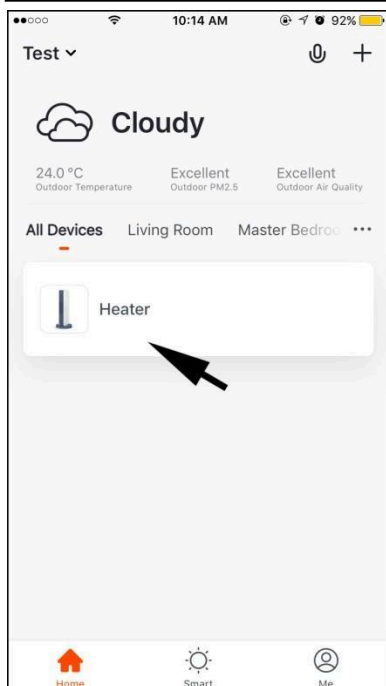


Press “Confirm indicator rapidly blink” and select a Wi-Fi signal nearby and enter Wi-Fi password to confirm the connection. Once the device added successfully, press “Done” to finish this procedure. If failed, you need to re-add or search for help.



5. Using App to control heater

Once it's connected, you can use the App to control the heater.



Switch : Turn on / off heater.

Mode : Set Auto / Manual mode.

Auto mode: set temperature.

Manual mode: Set temperature at 40°C(Unchangeable).

Level : Change heating levels.

Level_1 : Heating at 25% power.

Level_2 : Heating at 50% power.

Level_3 : Heating at 75% power.

Level_4 : Heating at 100% power.

Fast Heat : Turn on / off fast heat mode.

Timer : Set times for the heater to come on or off.

WIFI signal strength : Shows the Wi-Fi signal strength. (100% is the best)

Note:

(1) All the above illustrations are shown on the Apple iOS system. There may be a slight difference on the Android system.

(2) All the illustrations are for reference only.

12. INSPECTION ITEMS AFTER INSTALLATION

| Items to be checked | Possible result of incorrect installation |
|--|---|
| Is physical mounting / installation secure? | The equipment may fall off mounting or be loose. |
| Is the placement of the heater correct (refer section 1 - safety precautions for required clearances). | Damage to objects close to equipment or risk of fire. |
| Does input power voltage match voltage shown on product nameplate? | Equipment failure. |
| Are the input wires connected correctly? | Equipment failure. |
| Is the ground wire connected correctly? | Electricity leakage risk. |

13. ATTENTION

Due to thermal expansion and contraction, the heater will generate some noise when turning on or off and heating. It's a part of normal operation.

14. INSPECTION ITEMS FOR COMMISSIONING

1. Do not connect power until installation is complete.
2. Ensure all electrical wire connections are correct and secure.
3. Ensure all scattered objects and packing materials are removed from radiant heater body.
4. Connect power and check heater is operating correctly.

15. PACKING LIST

| No. | Name | QTY |
|-----|-------------------|-------|
| 1 | Heater | 1 pc |
| 2 | Remote controller | 1 pc |
| 3 | Adjusting bracket | 1 set |
| 4 | Fastener | 1 set |
| 5 | Sliding bracket | 1 set |

16. SPECIFICATIONS

| Model No. | Dimension(mm) | Package size(mm) | Net weight(kg) | Gross weight(kg) |
|-------------|---------------|------------------|----------------|------------------|
| JH-NR10-13W | 755*189*67 | 820*250*150 | 4.4 | 5.5 |
| JH-NR18-13W | 1155*189*67 | 1220*250*150 | 6.9 | 8.1 |
| JH-NR24-13W | 1655*189*67 | 1720*250*150 | 9.5 | 11.3 |
| JH-NR32-13W | 2155*189*67 | 2220*250*150 | 12.3 | 14.3 |