

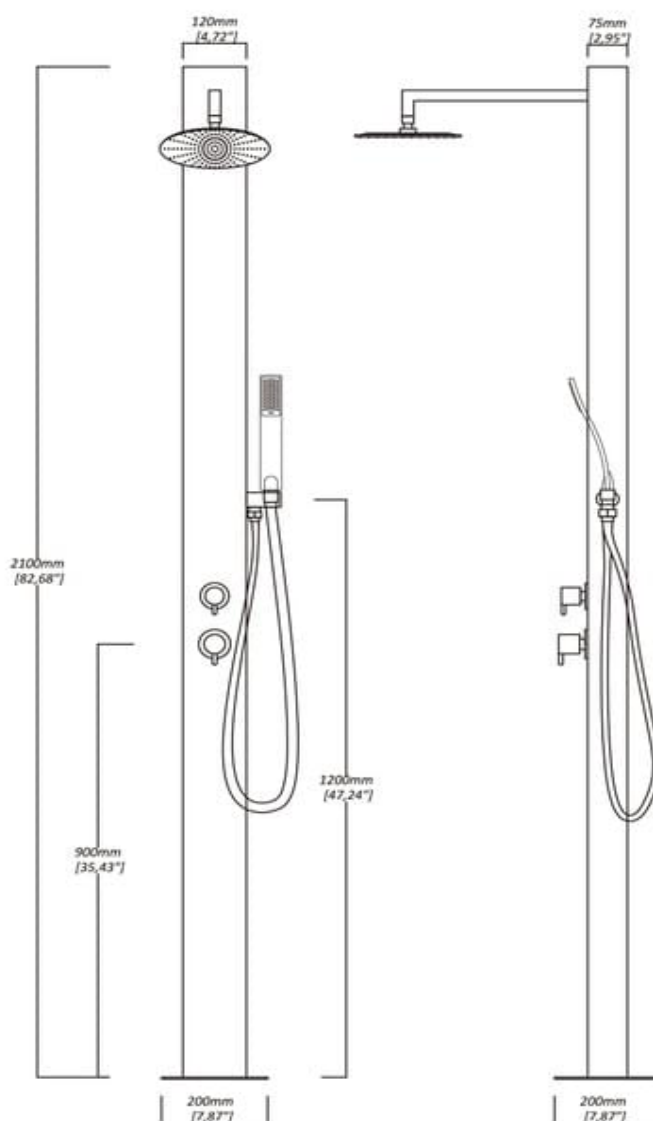
# Hydra Jet Showers

Installation instruction



Always ask your installer to check the product before installation, make sure the shower working properly.

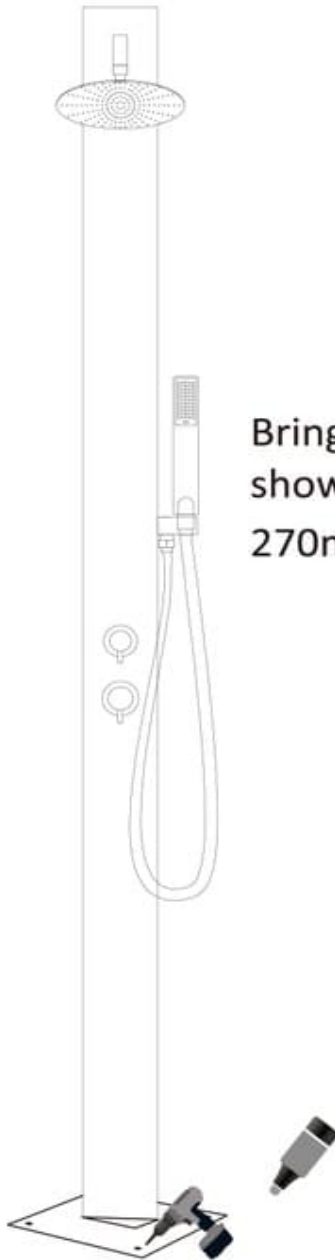
models:  
**Waikiki**  
**Miami**  
**Sorrento**  
**Noosa**  
**Bondi**  
**Esperance**



[www.hydrajetshower.com.au](http://www.hydrajetshower.com.au)

**Before Installation - LICENSED PLUMBERS REQUIRED**  
Check the product before installation

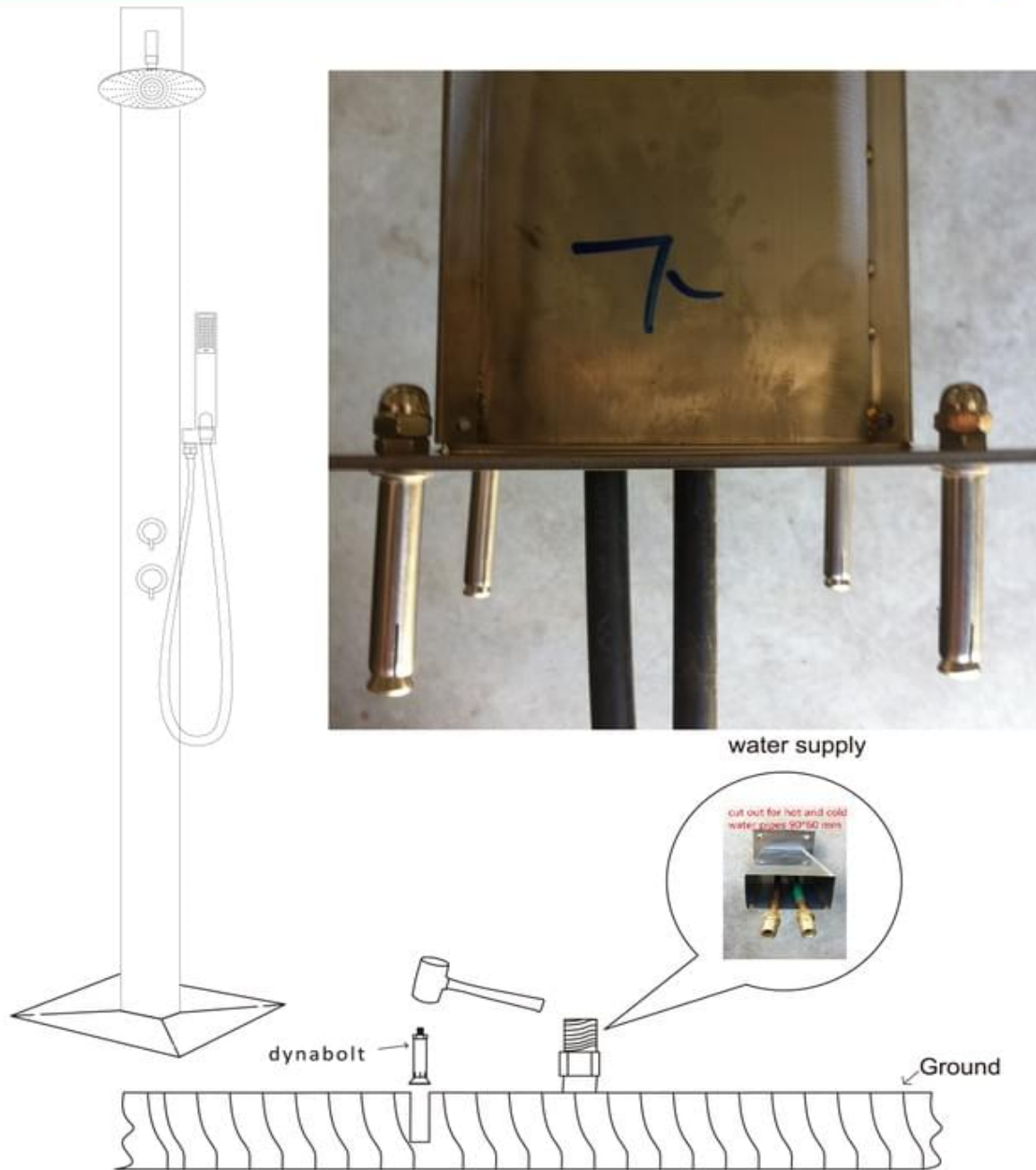
## STEP 1



Bring one hot and cold water line to where the shower is being installed, 1/2" inch water pipe, 270mm above the ground; Mark and drill holes

[www.hydrajetshower.com.au](http://www.hydrajetshower.com.au)

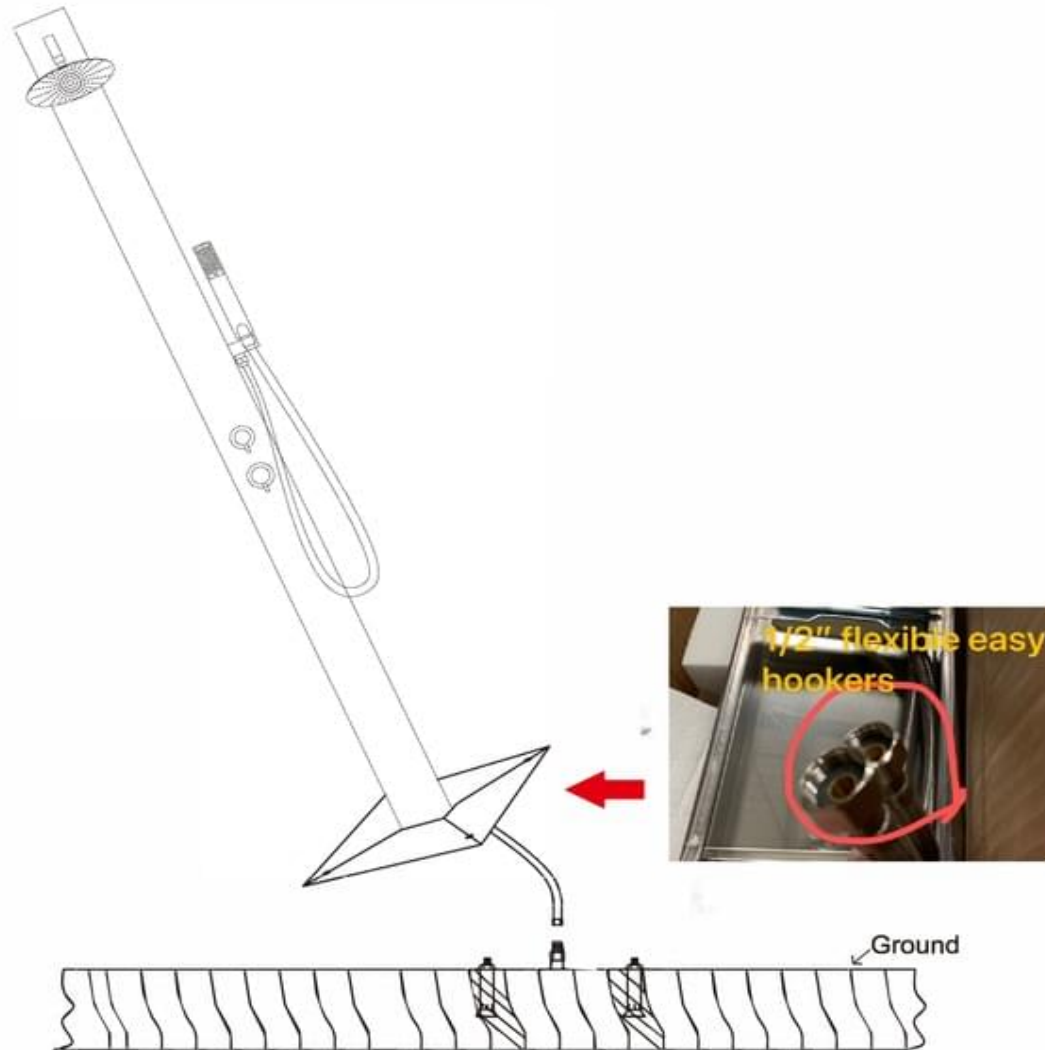
1. Drill holes and clean the dust out of the hole



Hammer the dynabolts into the hole in the concrete

[www.hydrajetshower.com.au](http://www.hydrajetshower.com.au)

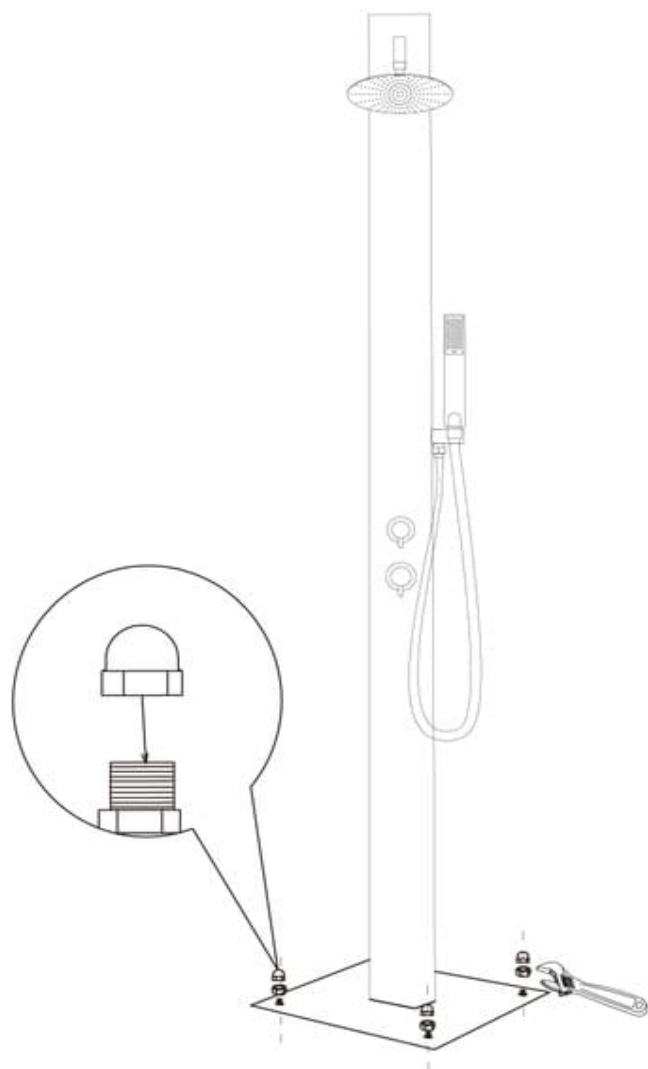
2. Bring one hot and cold water line to where the shower is being installed, 270mm above the ground



connect installed 1/2" flex water connectors to water service ,  
level the base plate properly and ensure the placement is  
properly

[www.hydrajetshower.com.au](http://www.hydrajetshower.com.au)

3. Connect pre-installed easy hookers hot and cold water pipes to your supply



Tighten the nut with a torque wrench, covered by screw caps

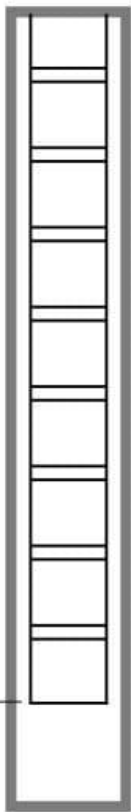


# HydraJet Showers - Wall Mounted Specs

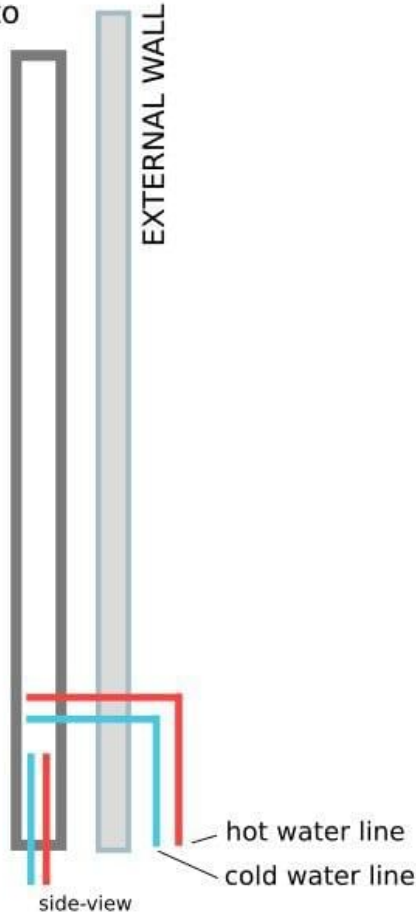
models:  
Waikiki  
Miami  
Sorrento

8 x cross-bars  
for wall brackets  
spaced 260mm

back plate  
spaced 270mm  
above the base



rear-view



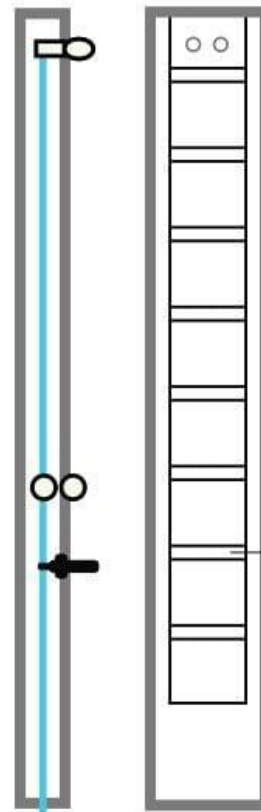
side-view

models:  
Bondi

Bondi :  
COLD WATER ONLY

cold water  
"easy-hooks"  
factory installed

cold water line



Anti-vandal  
fixing at  
top cross-bar

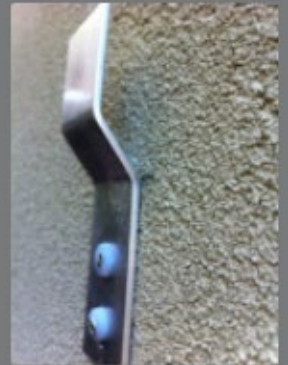
DynaBolts  
into top bracket

wall bracket

more info?  
contact Leo Stewart  
0434 593 651

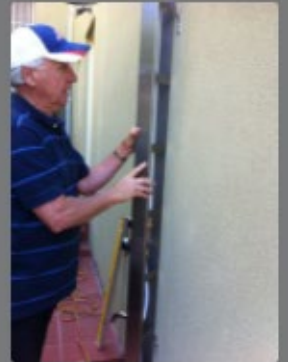
### STEP ONE

mark and drill your pilot holes, install one support bracket at the top of the shower and the other support in the middle



### STEP TWO

remove the rear panel and free standing base plate from the shower, attached supplied 2\* mounting brackets to the wall, they will support the 2\* rear support bars at the rear of shower



### STEP THREE

connect the 1100mm easy hookers hot and cold water pipes to your water supply, mount the shower to the wall, level the shower



### FINIAL STEP

If needed run a band of silicon down the inside of the back edges, but this is not necessary

