

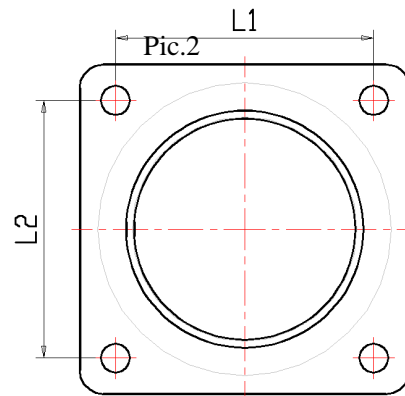
# SOLAR SHOWER INSTALLATION MANUAL

## Features:

1. The shower tube is made of environmental PVC, which does not contain any poisonous chemical **components and of course** will do no harm to your health. The color of black assures that the tube could absorb the most possible sunshine, thus to gather the heat to warm up the water inside the tube.
2. The solar shower is with the long using life. It could be used for more than 4 years if use outdoors.
3. The solar shower is energy saving and environmental protection. No other heating equipment is required. The heat is produced by the sunshine. As long as we have sunshine during daytime, we could have water in warm temperature.
4. Easy operate. You could adjust the water temperature simply by turning the handle.
5. Different models will meet your requirement for the different capacity of the water you need. You could choose the solar shower according to your personal situation.(check the capacity of shower according to pic.1)

Pic.1

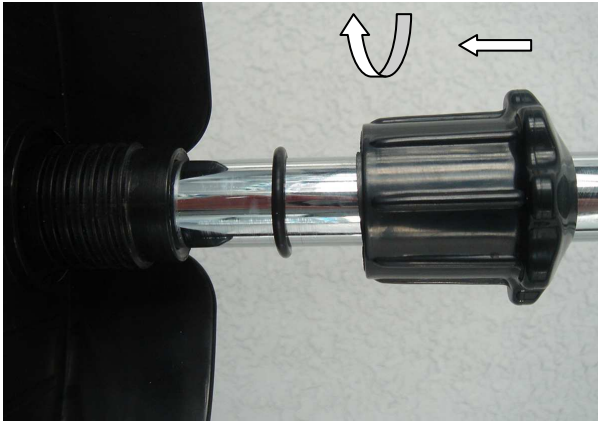
| Model | Capacity | Size L1×L2 |
|-------|----------|------------|
| A     | 20L      | 129×129    |
| B     | 22L      | 129×129    |
| C     | 18L      | 144×214    |
| D     | 34L      | 144×214    |
| E     | 34L      | 144×214    |



6. The solar shower do not heated by itself, when the hot water used out, it needs to refill the water up and heated by sun through about 4-6 hours.

## INSTALLATION

1. Drill holes in the concrete floor or other solid ground, fix the solar shower to the ground by the bolts in the parts bag, and make sure the solar shower will not collapse due to the strong wind and other external forces.
2. It is much better to install the solar shower in the places where the sunshine will last much longer than others. It could help to have the right temperature of water while in use.
3. Quick connect adaptor is used for the water inlet. We suggest using the flexible hoses. Make sure this flexible hose would bear the pressure of 6kgs/cm<sup>2</sup>.
4. Please ask professionals to install the solar shower to avoid any injury.
5. When install MODEL C (two section solar shower as following picture 4), you are required to insert the stainless stain rail and the gasket before screwing the cap, thus to avoid any leaking problem.



6. Have a testing after all the components are installed to check whether there are leaking problems. Transportation and any improper operation during installation will make the parts loose thus cause leaking. Tightly screw the leaking part may help solving the leaking problems.

## NOTES

1. When the sunshine is strong, especially in summer, the water inside the tube will reach a very high temperature, so please do not stand under the solar head when you use it. Otherwise you will be scalded by the hot water, please turn on the cold water first then adjust the water temperature by the handle gradually.
2. Do not remove or add any parts, otherwise leaking would be easily caused.
3. Clean the shower head periodically to make sure the water sprays without resistance.
4. Children are not allowed to use the solar shower alone.
5. Fill up the tube after the shower is installed. You should turn the adjusting handle to the position of hot water, when the shower head have water spray, the tube is fully filled
6. When in winter, empty the water in the tube by drainage to avoid frozen inside the tube.



1. For MODEL C TYPE (two section solar shower) , the handle on the top is for hot water and the handle in the bottom is for the cold water. See picture ⑥
2. The foot shower does not have hot water.  
Turn on the cold water first then adjust the water temperature by the handle gradually.

**Flowing pictures show you the hot and cold water handle position, Turn to blue side, it is cold water, and turn to red side, and it is hot water.**

