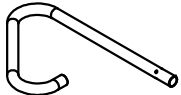
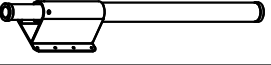

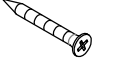

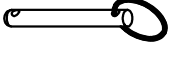
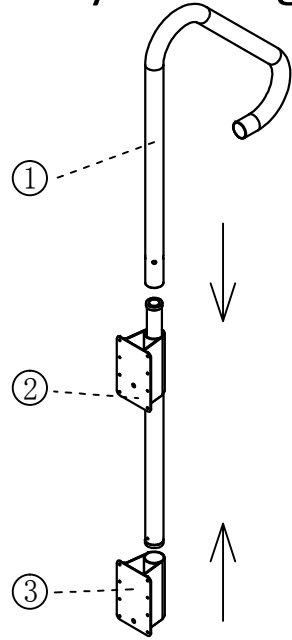


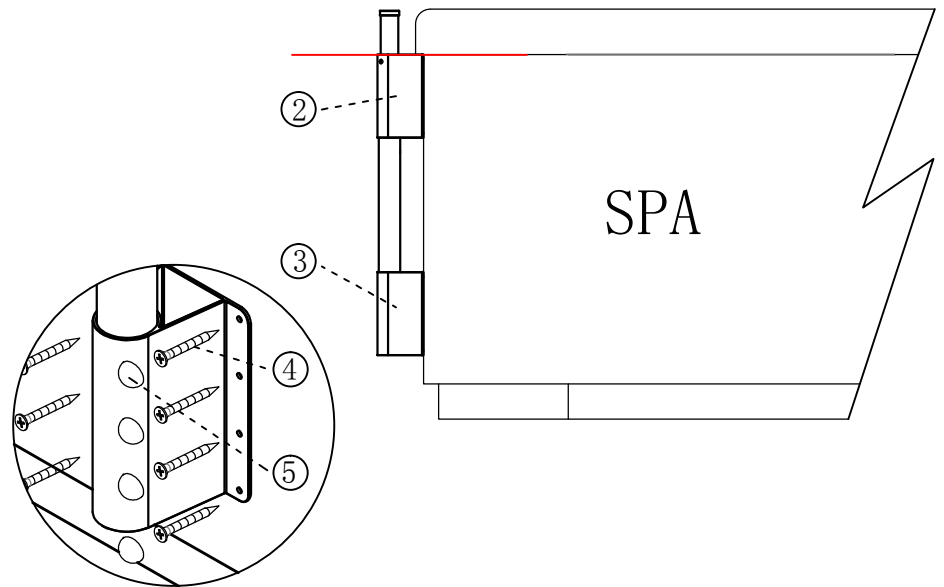
Bill of materials :

NO	QTY	Shape / name
①	1	
②	1	
③	1	
④	18	5X30 
⑤	18	
⑥	1	

Assembly drawing

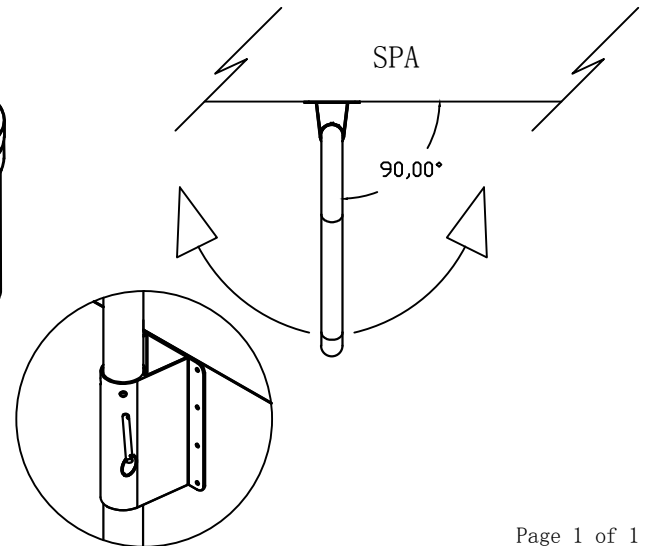
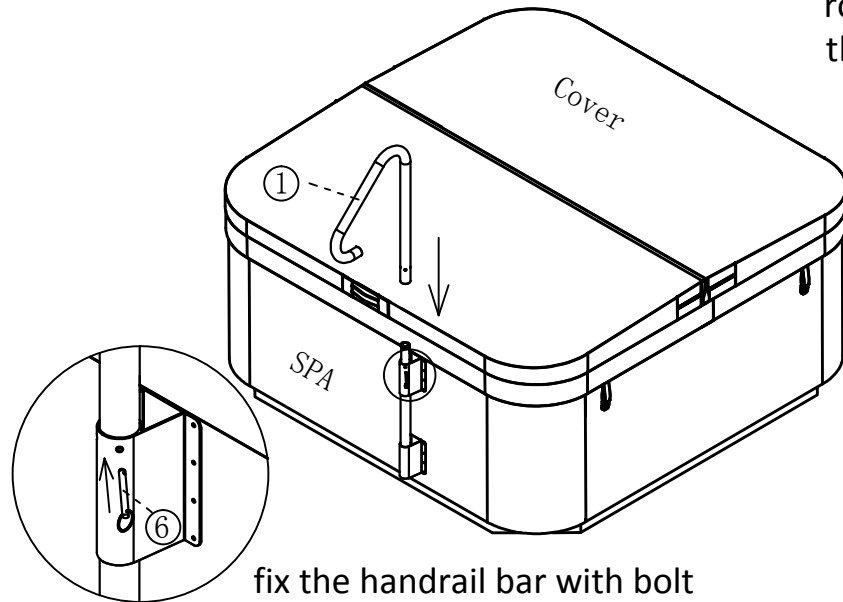


Installation steps one: Arrange the bottom position, and fix onto the spa



Installation steps two : Install the handrail bar

The handrail bar can be 90 degree rotation adjustment, after finishing, use the bolt to fix the bar.



fix the handrail bar with bolt